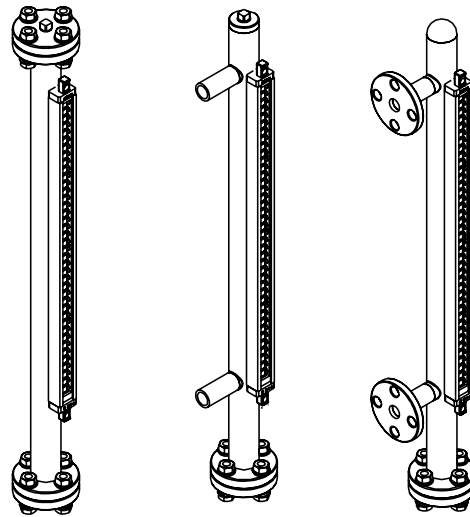


# MINI BY-PASS level indicator

## FEATURES

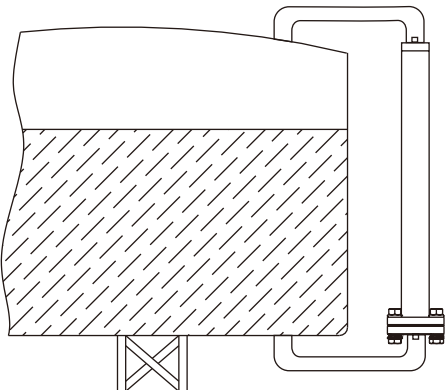
- ★ Visible level changes are shown by the flag display
- ★ Uses engineering plastics(not glass) for safety
- ★ Compact and easy to install.
- ★ Optional magnetic switches for high/ low level alarm output.
- ★ Optional level transducer for 4-20mA signal output.

Applicable in both hazardous or sanitary environments.  
Suitable for oil tanks, water tanks, steam boilers, food machines, medical equipment and other.

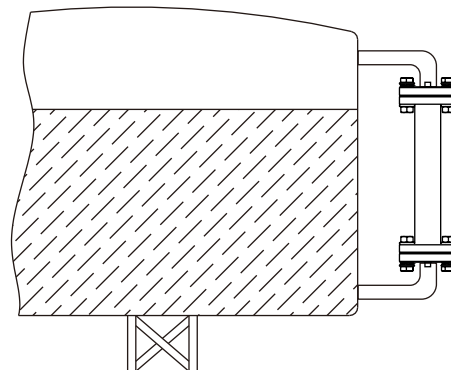


## INSTALLATION EXAMPLE

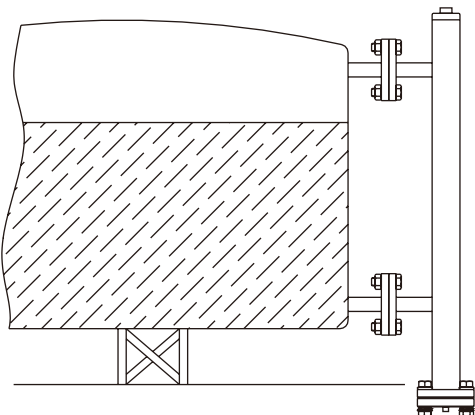
MEF□□□ B5H



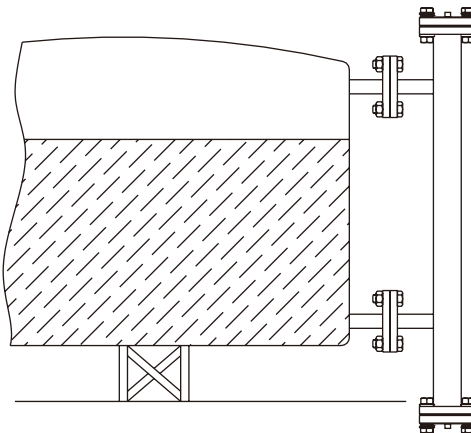
MEF□□□ C5H



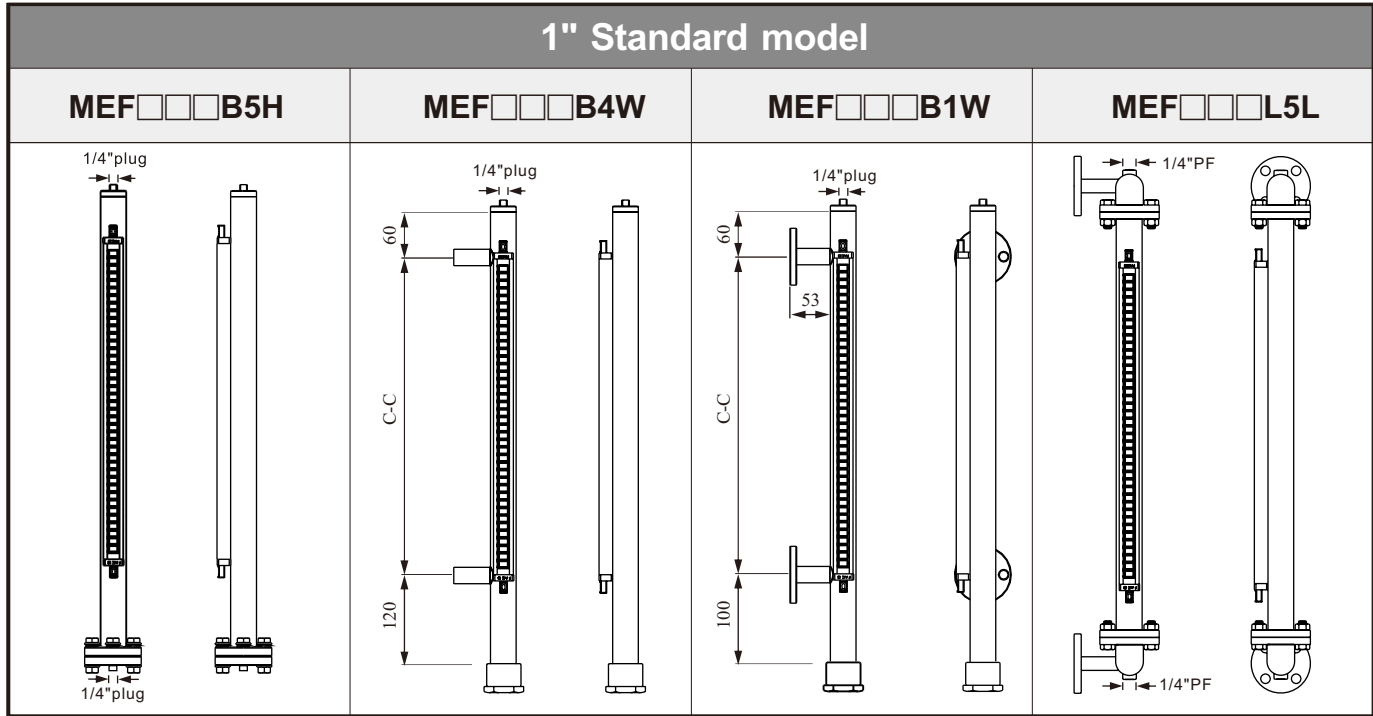
MEF□□□ B1H



MEF□□□ C1H



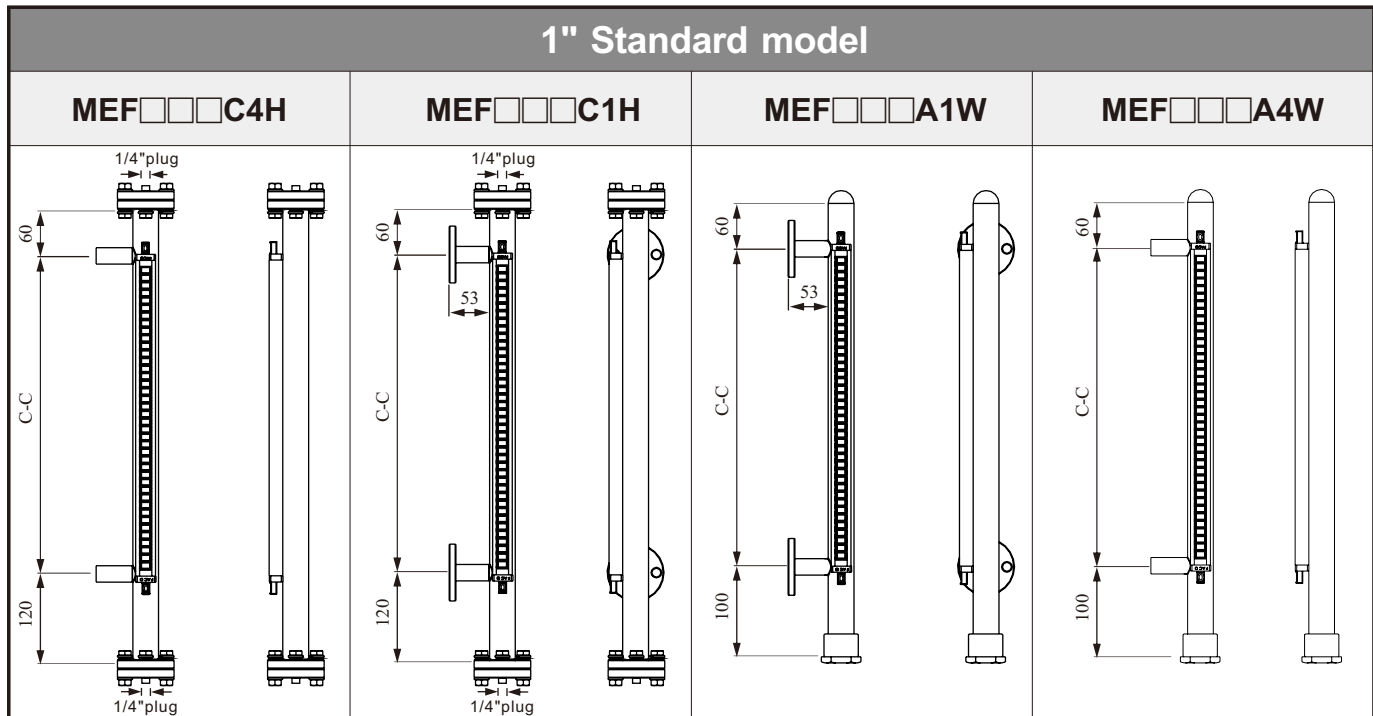
## 1" Standard model



### SPECIFICATIONS:

Order No.	MEF□□□B5H	MEF□□□B4W	MEF□□□B1W	MEF□□□L5L
<b>Description</b>				
<b>Top end</b>	Flat Top+1/4"PT Plug	Flat Top+1/4"PT Plug	Flat Top+1/4"PT Plug	Dual Flange+ angle pipe
<b>Bottom end</b>	Dual Flange+ 1/4"PT Plug	Removable nut plug	Removable nut plug	Dual flange +angle pipe
<b>Connecting</b>	—————	Slip Pipe	3/8" x5kg/cm <sup>2</sup> (Flange)	3/8" x5kg/cm <sup>2</sup> (Flange)
<b>C-C distance</b>	Min. 150mm; Max. 3000mm			
<b>Operation pressure</b>	10kg/cm <sup>2</sup>			
<b>Operation temp.</b>	140°C (max.200°C)			
<b>Chamber</b>	φ34 x 2t, SUS304 / SUS316L			
<b>Float type</b>	EFB-2420, S.G.0.8			
<b>Material</b>	SUS304 / SUS316L			
<b>Flag indicator</b>	EFB-0750			
<b>Ruler</b>	PM Sticker (max.100°C)			

C-C Connecting tube: 1/2"



**SPECIFICATIONS:**

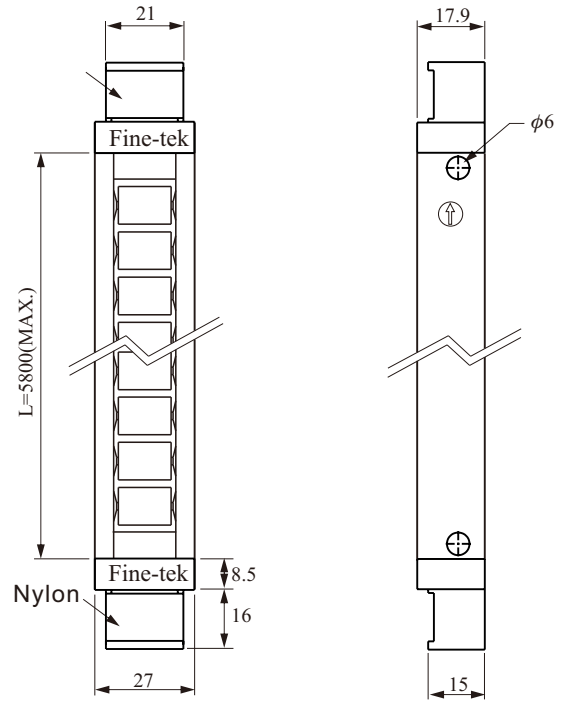
Order No.	MEF□□□C4H	MEF□□□C1H	MEF□□□A1W	MEF□□□A4W
<b>Description</b>				
<b>Top end</b>	Dual Flange+ 1/4"PT Plug	Dual Flange+ 1/4"PT Plug	Cap	Cap
<b>Bottom end</b>	Dual Flange+ 1/4"PT Plug	Dual Flange+ 1/4"PT Plug	Removable nut plug	Removable nut plug
<b>Connecting</b>	Slip Pipe	3/8" x5kg/cm <sup>2</sup> (Flange)	3/8" x5kg/cm <sup>2</sup> (Flange)	Slip Pipe
<b>C-C distance</b>	Min. 150mm; Max. 3000mm			
<b>Operation pressure</b>	10kg/cm <sup>2</sup>			
<b>Operation temp.</b>	140°C (max.200°C)			
<b>Chamber</b>	φ34 x 2t, SUS304 / SUS316L			
<b>Float type</b>	EFB-2420, S.G.0.8			
<b>Material</b>	SUS304 / SUS316L			
<b>Flag indicator</b>	EFB-0750			
<b>Ruler</b>	PM Sticker (max.100°C)			

C-C Connecting tube: 1/2"

# FLAG DISPLAY

## MODEL: EFB-0750

Housing material	SUS 304
Flag material	Engineering plastic
Flag color	Red / White; Green / White
Cover material	Engineering plastics
Operation temp.	-20~140°C
Standard unit	50mm



# ACCESSORY

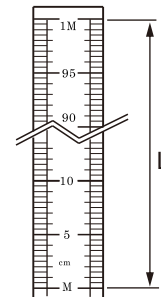
## RULER

**MODEL: EFA-2150 (unit: cm)**

**MODEL: EFA-2160 (unit: inch)**

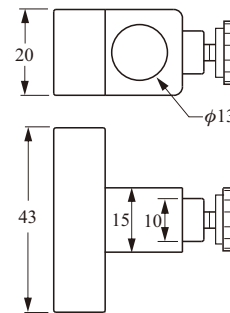
Material	PM Sticker
Operation temp.	-20~100°C

**EFA-2150**

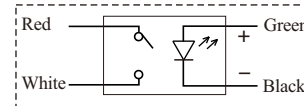


## MODEL: EFB-14□□ [ ADJUSTABLE TYPE ]

Contact element	Reed Switch
Switch form	EFB-1400, SPST NO Hold type
	EFB-1410, SPST NO Normal type
	EFB-1420, SPDT Hold type
	EFB-1430, SPDT Normal type
	EFB-1440, SPST NO Hold type (side lead wire )
	EFB-1450, SPST NO Hold type (LED display)
Contact capacity	1A /30W / 200Vdc / 240Vac
LED power	24 Vdc ±20%(for EFB-1450)
Housing material	PP
Operation temp.	-20~140°C
Protection	IP67
Cable length	2M (PVC Cable)
Contact wire color code	Red: COM, White: NO (EFB-1400 /1410 /1440 / 1450)
	Black: COM, Red: NC, White: NO (EFB-1420 / 1430)



**EFB-1450 Wiring**

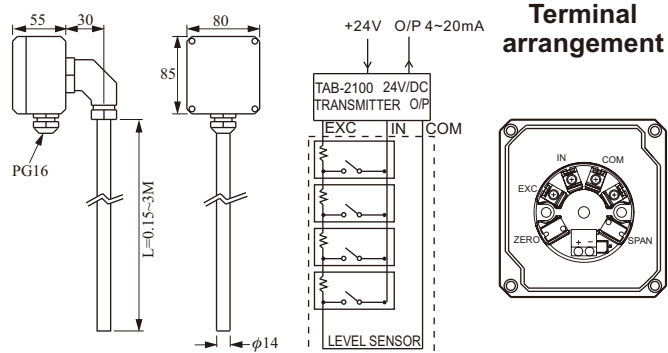


# FLOAT/ CONTINUOUS LEVEL TRANSMITTER

## CONTINUOUS LEVEL TRANSMITTER

### MODEL: EFB-3920

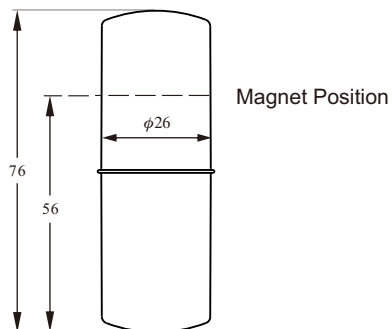
Housing material	PC(IP65) 85(W)x80(H)x55(D)
Tube material	$\phi$ 14mm, SUS 304 or SUS 316
Resolution	$\pm$ 6.35mm
Output	4~20mA two-wire
Power	12~32Vdc
Measuring range	0.15~3M
Ambient temp.	-10~80°C
Accuracy	$\pm$ 0.1%



## METAL FLOAT

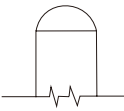
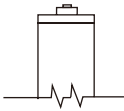
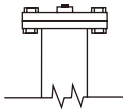
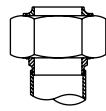
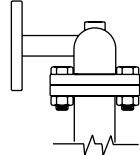
### MODEL: EFB-2420

Operating temp.	150°C
Operating pressure	10kg/cm <sup>2</sup>
Specific gravity	0.8(S.G.)
Floatation line	96 mm
Material	SUS316
Dimension	$\phi$ 26x76

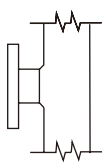
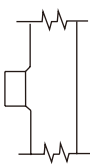
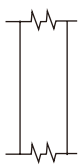


# ORDER INFORMATION

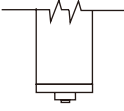
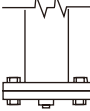
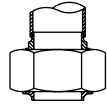
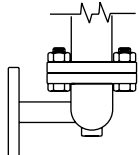
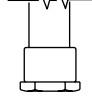
## TOP END MODEL

A	B	C	V	L
Cap	Flat top+plug	Dual flange +plug	Welding union	Dual flange +angle pipe
				

## CONNECTION

1	4	5
Flange	Slip pipe	N/A
		

## BOTTOM END MODEL

B	H	V	L	W
Flat top+plug	Dual flange +plug	Welding union	Dual flange +angle pipe	Removable nut plug
				

# HOW TO MAKE YOUR ORDER

MEF **Y** **1** **1** **B** **5** **H** **1** **(J 3)** - **0 5** (   )

**Float model** \_\_\_\_\_

Y : EFB-2420 (SUS316)---1" (OD34)

**Material** \_\_\_\_\_

1: SUS304 -- 140°C                      8: SUS304 -- 200°C  
 3: SUS316L -- 140°C                    9: SUS316L -- 200°C

**Flag display** \_\_\_\_\_

1: EFB - 0750(150°C)    -: None

**End / Connection model** \_\_\_\_\_

Top end model	Connection	Bottom end model
A: Cap B: Flat top+plug C: Dual flange+plug V: Welding union L: Dual flange +angle pipe	1: Flange 4: Slip pipe 5: N/A	B: Flat top+plug H: Dual flange+plug V: Welding union L: Dual flange +angle pipe W: Removable nut plug

\* Welding Union Type 1-1/4"

**Operating pressure range** \_\_\_\_\_

1: -1~ 10 kg/cm<sup>2</sup>

**Magnetic switch quantity** 1~ 4 \_\_\_\_\_

G: EFB -1400    J: EFB -1430  
 H: EFB -1410    K: EFB -1450  
 I: EFB -1420    L: EFB -1440

\*Omit these two codes if no magnetic switch required.

**Length (Unit: m)** \_\_\_\_\_

05: below 0.5m    10: 0.5~1m    15: 1~1.5m . . .    \*0.5m per Unit (Max.length: 3m )

**Transducer** \_\_\_\_\_

G: EFB -3920 Continuous Level Transmitter                      \*Omit this code if no transducer required.

**Ruler** \_\_\_\_\_

M: Sticker    \*Omit this code if no ruler required.    \*Arable for customized unit

\* Level Transmitter and magnetic switch can't be installed together on the Mini by-pass level indicator  
 \* Special term for LR Marine approval: "Environmental test has been carried out but it is not applicable to use in the ship and offshore that type of screw fittings is used for pipe exceeding 51mm outer diameter".